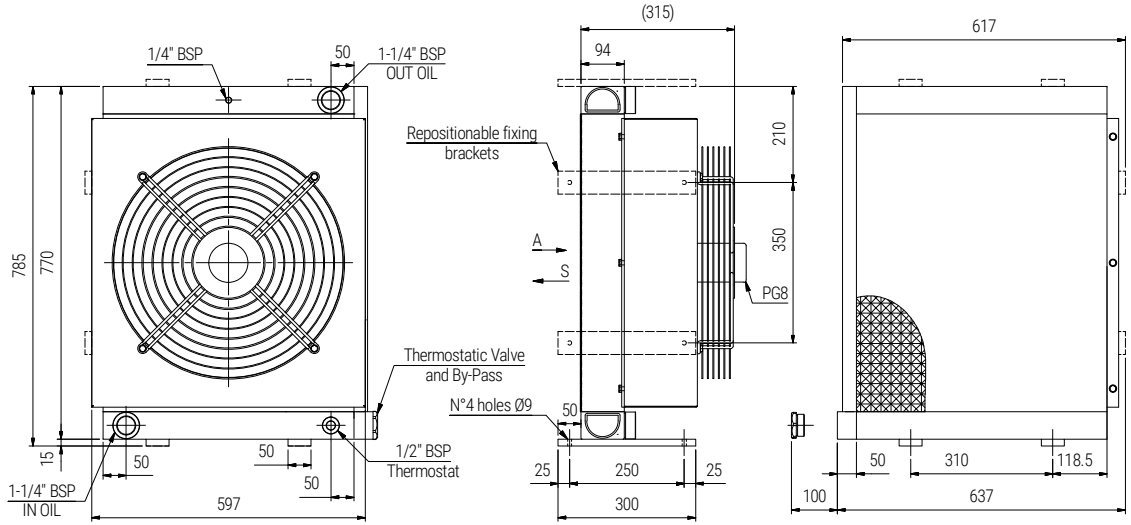


ECHANGEURS DE TEMPERATURE AIR/HUILE SERIE **SSPV**

Types **SSPV36.01 / SSPV36.03**



Type	Frequency HZ	Voltage V	RPM	Power KW	Fan Diameter mm	Noise level dB (A)	Air flow rate m ³ /h	Capacity lt	Weight KG	IP
01	50/60	230	1480/1620	0,670/0,800	500	83	6200	9.5	51	54
03	50/60	400	1480/1620	0,100/0,130		83	6200			

PERFORMANCE DIAGRAM

