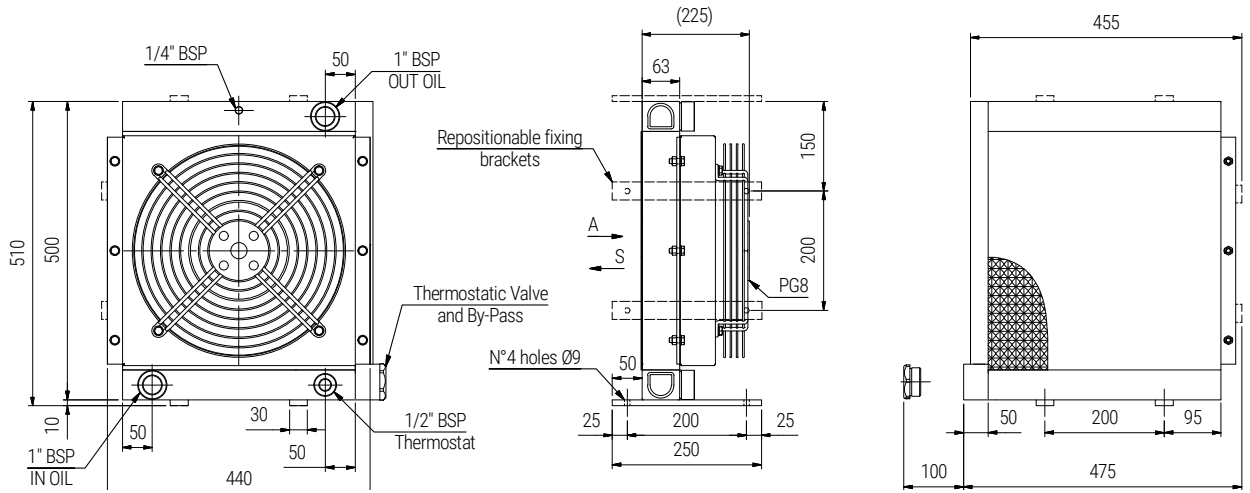


# ECHANGEURS DE TEMPERATURE AIR/HUILE SERIE **SSPV**

## Types **SSPV18.01 / SSPV18.03**



| Type | Frequency HZ | Voltage V | RPM       | Power KW    | Fan Diameter mm | Noise level dB (A) | Air flow rate m <sup>3</sup> /h | Capacity lt | Weight KG | IP |
|------|--------------|-----------|-----------|-------------|-----------------|--------------------|---------------------------------|-------------|-----------|----|
| 01   | 50/60        | 230       | 1380/1550 | 0,180/0,250 | 400             | 68                 | 4000                            | 2,8         | 19        | 44 |
| 03   | 50/60        | 400       | 1380/1520 | 0,180/0,250 |                 | 68                 | 4300                            |             |           |    |

### PERFORMANCE DIAGRAM

