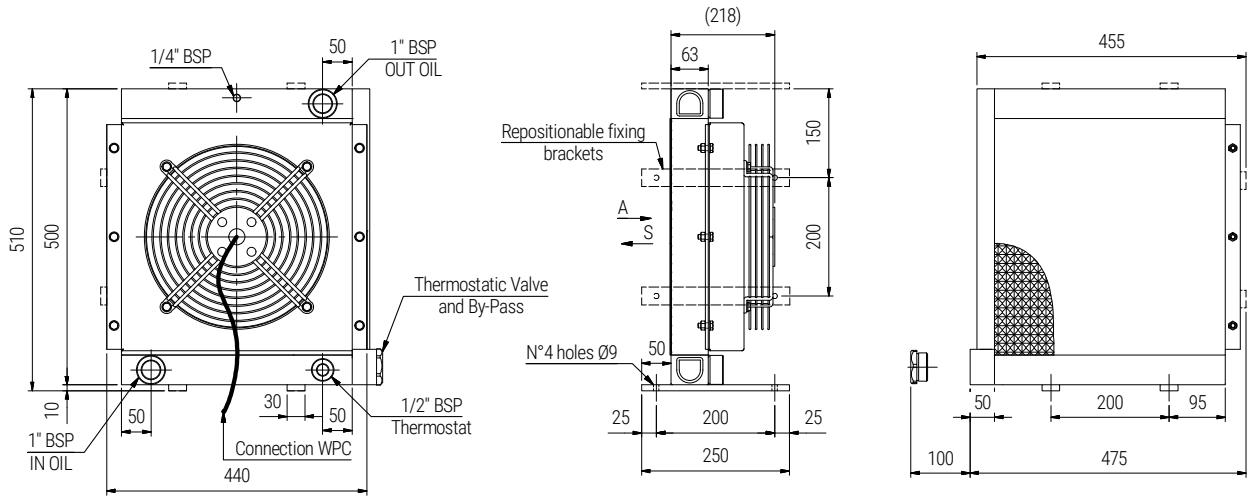


ECHANGEURS DE TEMPERATURE AIR/HUILE SERIE **SSPV**

Types **SSPV18.12 / SSPV18.24**



Type	Frequency HZ	Voltage V	RPM	Power KW	Fan Diameter mm	Noise level dB (A)	Air flow rate m ³ /h	Capacity lt	Weight KG	IP
12	DC	12	2248	0,151	385	77	2950	3,1	18	68
24		24					3100			

PERFORMANCE DIAGRAM

